



CWP Series

Traditional LED Wall Pack

Descriptions

The CWP series LED wall pack adopts the latest optical and LED technology, offers a popular classic appearance and comes in rugged cast-aluminum housing with excellent thermal design. The traditional shape maintains an aesthetic appearance and will replace any building's wall pack, or perimeter lighting.

The traditional LED wall pack is ideal for outdoor applications such as carports, loading areas, driveways, parking area and pathways. Designed for wall mounting above four feet from ground.



Specification Features

Construction

Rugged, heavy duty die-cast aluminum housing, fully sealed to be dirt and water proof. Integrated housing with advanced thermal transmission.
Polyester powder coating finish, rust and corrosion proof.

Electrical

Integral UL Class II listed high performance LED driver.
Universal input 120-277VAC, 50/60Hz.
PF>0.95.
High input voltage optional.

Optical

Shatterproof prismatic borosilicate glass lens.
High performance SMD LM80 LEDs.
5000K CCT standard. CRI>70.
CRI>80 optional

Environmental

Operating temperature -20~50°C
ETL listed suitable for WET locations.

Installation/Mounting

To be wall-mounted higher than 4-ft. from the ground. Luminaire to be mounted directly over standard 4" junction box (supplied by others) or surface mount and wiring connection through convenient 1/2" threaded conduit entry hub.

Control

Button type / swivel type photo sensor.
0-10V, 10% ~ 100% dimming.

Warranty

5-year limited warranty

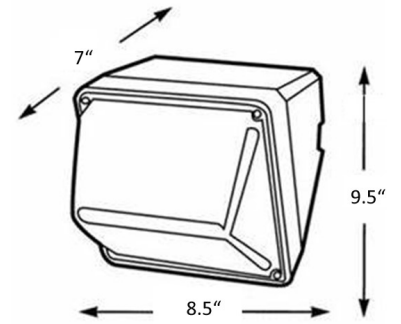
Ordering Information

Example : CWP60/H1/50K/P/G1

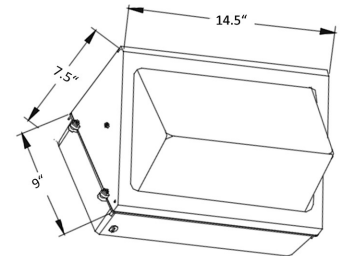
CWP	60	H1	50K	P	G1	
Product Series	Wattage		Input Voltage	Color Temperature	Control	Generation
CWP series LED Wall Pack	28 28W 38 38W 40 40W 60 60W 80 80W 100 100W 120 120W	H1 120-277VAC H2 200-480VAC	30K 3000K 40K 4000K 50K 5000K 57K 5700K	P Photocell M Motion sensor PM P+M	G1 G2 G3	

Technical And Performance Data

Model	Watts W	3000K CCT		5000K CCT	
		Lumens lm	Efficacy lm/w	Lumens lm	Efficacy lm/w
CWP28/H1/G1	28	3636	127	3759	130
CWP38/H1/G1	38	4868	124	5055	128
CWP40/H1/G1	40	5054	127	5309	131
CWP60/H1/G1	60	7384	123	7645	127
CWP80/H1/G1	80	9958	127	10482	134
CWP100/H1/G1	100	13141	133	13872	138
CWP120/H1/G1	120	15224	129	16015	135



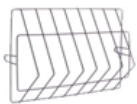
CWP28 | CWP38



CWP40 | CWP60 | CWP80

CWP100 | CWP120

Optional Accessories



Wire Guard



Light Visor



Emergency Battery Pack



Photo Sensor 120-277VAC

Photos Reference

