

Installation Instruction

WARNING

- To reduce the risk of death, personal injury or property damage from fire, electric shock, falling parts, cuts/abrasions, and other hazards read all warnings and instructions included with and on the fixture box and all fixture labels.
- Before installing, servicing, or performing routine maintenance upon this equipment, follow these general precautions.
- Commercial installation, service and maintenance of luminaires should be performed by a qualified licensed electrician.
- For the installation: If you are unsure about the installation or maintenance of the luminaires, consult a qualified licensed electrician and check your local electrical code.
- To prevent wiring damage or abrasion, do not expose wiring to edges of sheet metal or other sharp objects.
- Do not make or alter any open holes in an enclosure of wiring or electrical components during kit installation.

WARNING

- Turn off electrical power at fuse or circuit breaker box before wiring fixture to the power supply.
- Turn off the power when you perform any maintenance.
- Verify that supply voltage is correct by comparing it with the luminaire label information.
- All wiring connections should be capped with UL approved wire connectors.

CAUTION

- Avoid direct eye exposure to the light source while it is on.
- Account for small parts and destroy packing material, as these may be hazardous to children.
- Risk of burn. Disconnect power and allow fixture to cool before changing bulb or handling fixture.

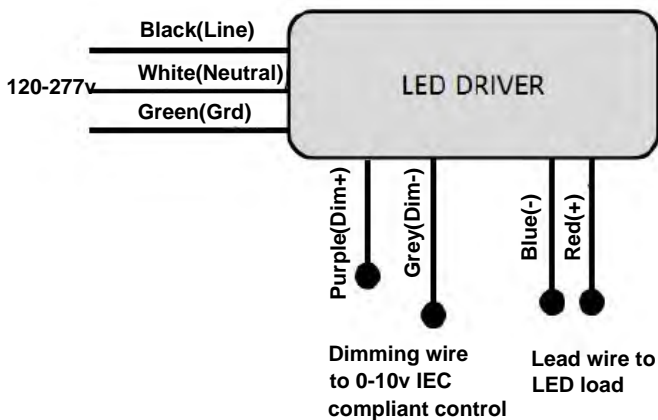
NOTICE: Green ground screw provided in proper location. Do not relocate.

NOTICE: Minimum 90° supply conductors.

NOTICE: Specifications and dimensions subject to change without notice.

NOTICE: Suitable for Dry or Damp location, Type IC.

General Wiring Diagram



If you have an interest in this product, please feel free to contact the email: info@evertielighting.com

If you have an interest in the other product, please visit the web www.designlights.org/qpl.

Search by Keyword : ever-tie

Installation Instruction

INSTRUCTIONS:

Always turn off the power supply from main circuit breaker first!

Figure 1

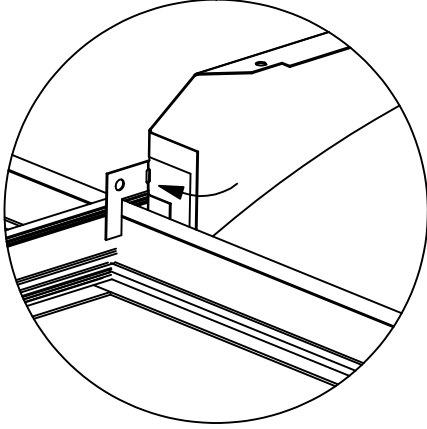


Figure 2

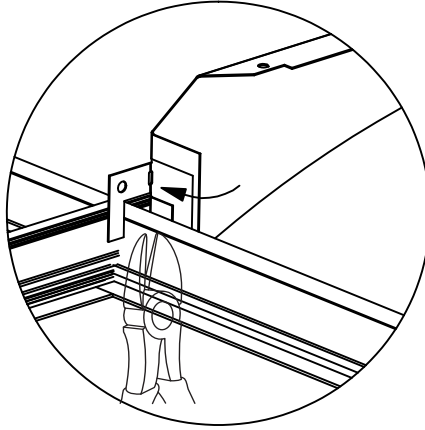


Figure 3

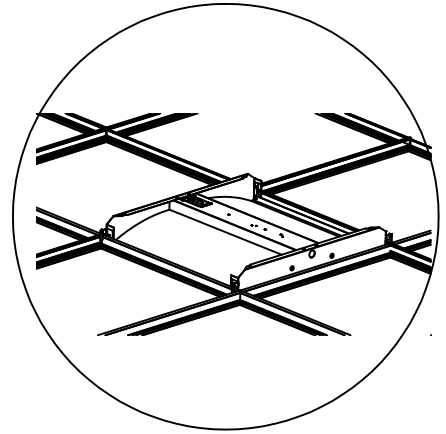


Figure 4

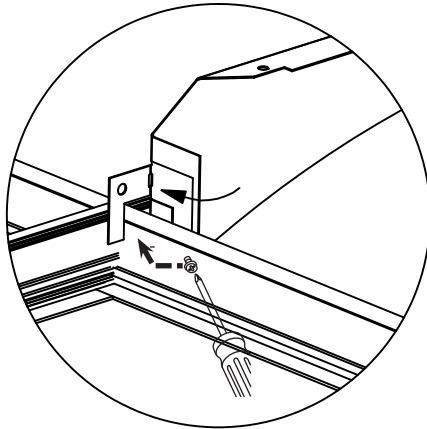


Figure 5

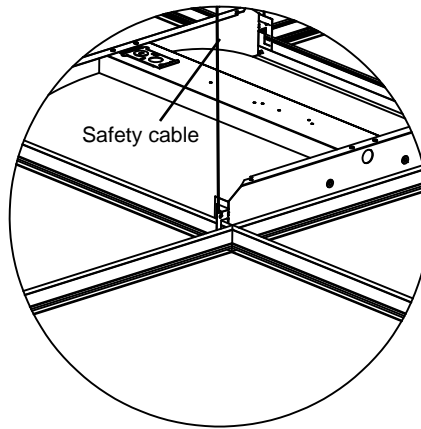
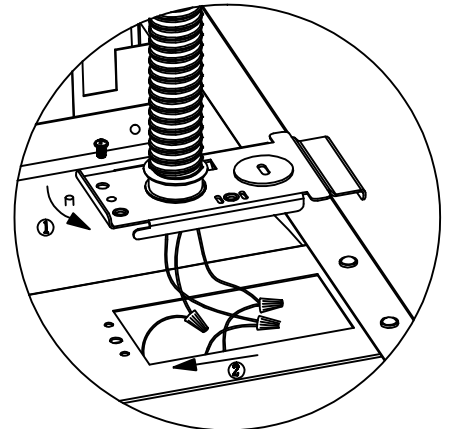


Figure 6



Installation Steps:

Figure 1: Bend out mounting tab 90 degrees on each corner.

Figure 2: Use side cutters to adjust each tab to height of T-grid.

Figure 3: Lay fixture into T-grid.

Figure 4: Bend tabs flush against T-grid in order to clear corner for ceiling tile.

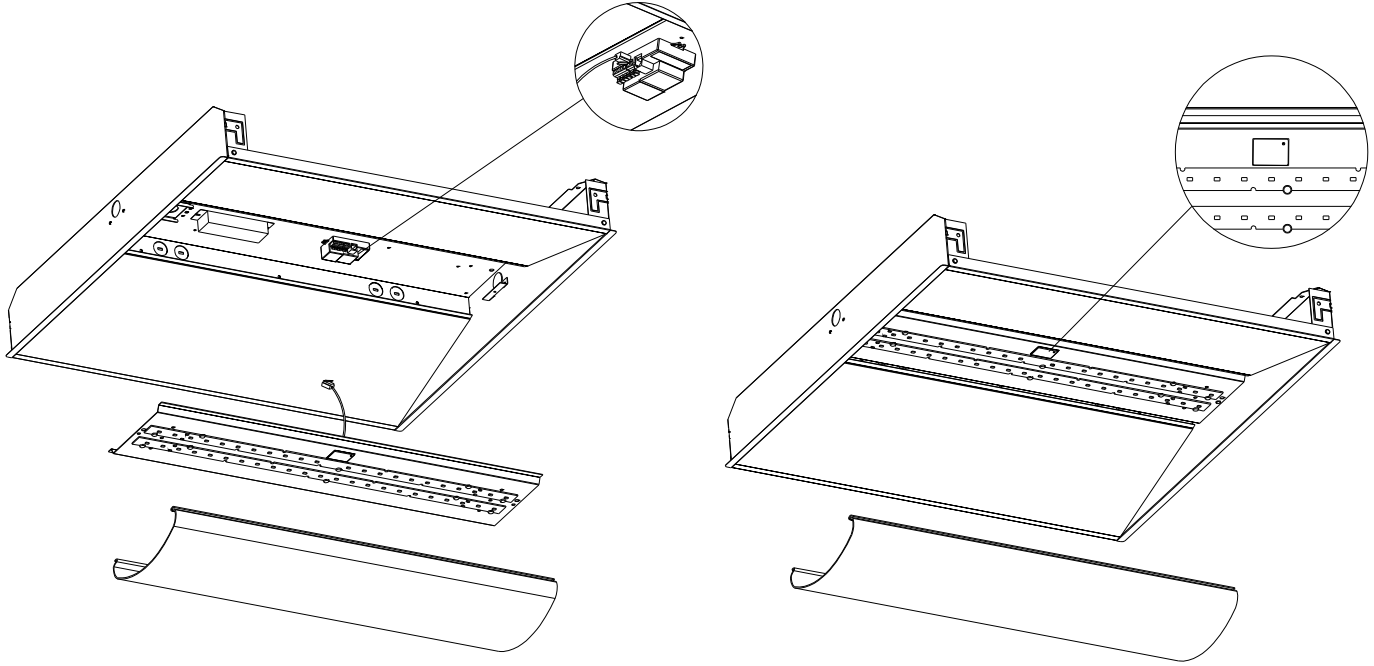
Figure 5: Use a #8x1/4" sheet metal screw to fasten fixture to T-grid and use a hanger wire to tie off appropriately in accordance with local building codes(screws and hanger wires supplied by others).

Figure 6: Ensure that the wiring of the last fixture in the row is properly terminated. Then make all electrical connections to the fixture. Attach the wiring access cover plate.

Installation Instruction

Additional Accessories

- Microwave Motion Sensor



- Emergency Battery Back-up

