



Project	
Schedule	
Notes	
Catalog #	

LED High Mast Flood Light

Product Description

The LHM series LED high mast area flood light is the ideal solution for outdoor sports field lighting, airports, sea port, high way, rail yard, ship dock, container and ferry terminals, prisons etc. with asymmetric indirect anti glare designed, this luminaire delivers maintenance-free, professional area flood lighting with a great return on investment.



Specification Features

Optics

Asymmetric distribution uniquely designed to reduce glare and control lighting overflow with the use of indirect LED light technology.

Reflection

Reflection is achieved by using a 98% reflective concave PVD technology aluminum reflector. This V series reflector we use is the latest PVD technology of metal surface in the market.

Efficiency

This Class 1 fixture with 130lm/W high efficiency helps to using less power .

Housing

The slim, low profile design minimizes wind load and uses easily adjustable arm mount. IP65 waterproof.

Mount

Various types and sizes adapters allow for further mounting ability and adjustable up to 180 degree, safety strip ensures to secure installation.

SPD

10KV Surge Protector standard. 20KV SPD optional.

Electric System

Luminaire utilizes high-efficacy LED packages maintained at cool temperatures for long life, high efficacy. Reliable driver features universal voltage (120-277V) for convenient installation.

Equivalent

1000-2000W Metal Halide Fixtures.

Warranty

5-year Limited Warranty. See warranty documentation for more information.

Ordering Information

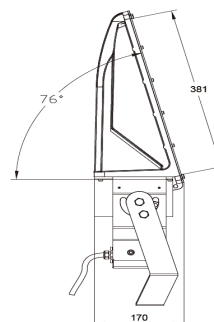
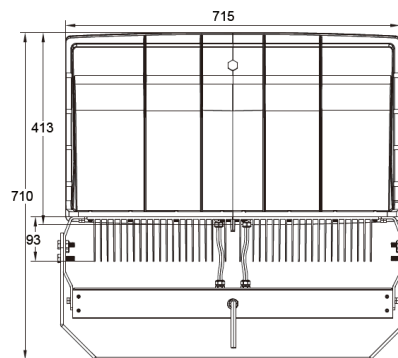
Example : LHM-800/H1/50K/G1

LHM	800	H1	50K	G1
Product Series	Wattage	Input Voltage	Color Temperature	Generation
LHM High Mast LED Floodlight	500 500W 600 600W 800 800W	H1 120-277VAC H2 200-480VAC	30K 3000K 40K 4000K 50K 5000K 60K 6000K 70K 7000K	G1 G2 G3

Technical And Performance Data

Model	Watts	Lumens @5000K	lm/w	LED	Driver
LHM-500/H1/50K/G1	500W	63249 lm	127 lm/w	Nichia	Mean Well
LHM-600/H1/50K/G1	600W	72094 lm	120 lm/w	Nichia	Mean Well
LHM-800/H1/50K/G1	800W	104000 lm	130 lm/w	Nichia	Mean Well

- * Mean Well HLG driver, 90~305VAC.
- * CRI>70 standard, CRI>80 optional.
- * -40~70 °C operating temperature.



Optional Accessories



Wire Guard



Wire Connector



IP65 J-Box