



FWP Series

Full Cutoff LED Wall Pack

Descriptions

The FWP series full cutoff LED wall pack offers long life and low maintenance. It has an excellent luminous efficacy of more than 100 lumens per watt achieved by utilizing SMD LEDs and is available in 40, 60 or 80 watts. It provides 60-90% energy savings compared to halogen or metal halide lamps.

The traditional LED wall pack is ideal for outdoor applications such as carports, loading areas, driveways, parking area and pathways. Designed for wall mounting above four feet from ground.



Specification Features

Construction

Rugged, heavy duty die-cast aluminum housing, fully sealed to be dirt and water proof. Integrated housing with advanced thermal transmission.
Polyester powder coating finish, rust and corrosion proof.

Electrical

Integral UL Class II listed high performance LED driver.
Universal input 120-277VAC, 50/60Hz.
PF>0.95.
High input voltage optional.

Optical

Shatterproof glass lens.
High performance SMD LM80 LEDs.
5000K CCT standard. CRI>70.
CRI>80 optional

Environmental

Operating temperature -20~50°C
ETL listed suitable for WET locations.

Installation/Mounting

To be wall-mounted higher than 4-ft. from the ground. Luminaire to be mounted directly over standard 4" junction box (supplied by others) or surface mount and wiring connection through convenient 1/2" threaded conduit entry hub.

Control

Button type / swivel type photo sensor.
0-10V, 10% ~ 100% dimming.

Warranty

5-year limited warranty

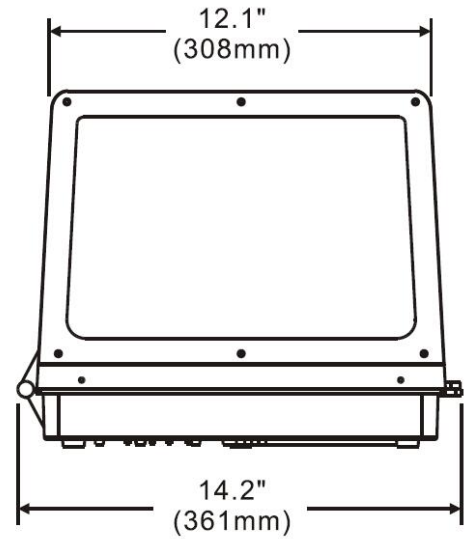
Ordering Information

Example : FWP60/H1/50K/P/G1

FWP	60	H1	50K	P	G1
Product Series	Wattage	Input Voltage	Color Temperature	Control	Generation
FWP series Full Cutoff LED Wall Pack	40 40W 60 60W 80 80W	H1 120-277VAC H2 200-480VAC	30K 3000K 40K 4000K 50K 5000K 57K 5700K	P Photocell M Motion sensor PM P+M	G1 G2 G3

Technical And Performance Data

Model	Watts W	3000K CCT		5000K CCT	
		Lumens lm	Efficacy lm/w	Lumens lm	Efficacy lm/w
FWP40/H1/G1	40	4785	119	4923	118
FWP60/H1/G1	60	6280	112	6410	111
FWP80/H1/G1	80	9581	119	9765	121



Optional Accessories



Emergency Battery Pack



Photo Sensor 120-277VAC

Photos Reference

