



MWP Series

Mini LED Wall Pack

Descriptions

This Mini LED Wall Pack is designed to replace 70/100-watt metal-halide (MH) fixtures while lasting 3 times longer. A built-in dusk-to-dawn photocell sensor extends LED life expectancy even further by powering the wall pack on at night and off during the day. The weatherproof black aluminum housing is powder coated for rust resistance, and a durable polycarbonate lens protects LEDs. Installation hardware and a foam mounting gasket are included.

It is great for security lighting, loading bay lighting, commercial entryways, and more.



Specification Features

Construction

Rugged, die-cast aluminum back housing and polycarbonate lens fully sealed to be dirt and water proof. Polyester powder coating finish, rust and corrosion proof.

Electrical

Integral UL Class II listed high performance LED driver. Universal input 120-277VAC, 50/60Hz. PF>0.9

Optical

Prismatic polycarbonate lens. High performance SMD LM80 LEDs. 5000K CCT standard. CRI>70. CRI>80 optional.

Environmental

Operating temperature -20~50°C ETL listed suitable for WET locations. (IP65)

Installation/Mounting

To be wall-mounted higher than 4-ft. from the ground. Luminaire to be mounted directly over standard 4" junction box (supplied by others) or surface mount and wiring connection through convenient 1/2" threaded conduit entry hub.

Control

Built-in photocell optional
Emergency battery backup

Warranty

5-year limited warranty

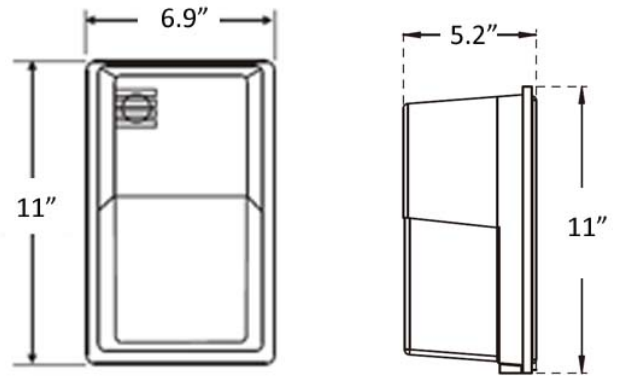
Ordering Information

Example : MWP13/H1/50K/P/G1

MWP	13	H1	50K	P	G1
Product Series	Wattage	Input Voltage	Color Temperature	Control	Generation
MWP series Mini LED Wall Pack	13 13W 28 28W	H1 120-277VAC H2 347VAC	30K 3000K 40K 4000K 50K 5000K 57K 5700K	P Photocell M Motion sensor PM P+M	G1 G2 G3

Technical And Performance Data

Model	Watts W	5000K CCT	
		Lumens lm	Efficacy lm/w
MWP13/H1/G1	13	1700	122
MWP28/H1/G1	28	3100	116



Optional Accessories



Emergency Battery Pack

Refer pics

