



## xVT Series

## Vapor Tight Jelly Jar

### Descriptions

The xVT LED Vapor Tight is an energy-efficient solution for environments where some protection from dust and moisture and larger objects is required. Sturdy cast cage protects globe from damage.

Ideal for factories, warehouses or simply to bring style to retail, hospitality and residential locations.



### Specification Features

#### Construction

Rugged, die cast aluminum housing. Integrated housing with advanced thermal transmission. Polyester powder coating, gray finish, rust and corrosion proof.

#### Electrical

Integral UL Class II listed high performance LED driver. Universal input 120-277VAC, 50/60Hz, PF>0.9.

#### Optical

Frosted/clear glass globe lens. High performance LM80 LEDs (LG/CREE). 5000K CCT & CRI>70.standard. Typically 90lm/w @ 5000K.

#### Environmental

Operating Temperature 4°F to 122°F (-20°C to 50°C)  
50000 hours rated lifespan  
ETL listed suitable for WET locations.

#### Installation/Mounting

Wall mount,  
Ceiling mount  
Pendant with a cable or 1/2" threaded conduit entry rod

#### Control

#### Warranty

5-year limited warranty

Ordering Information

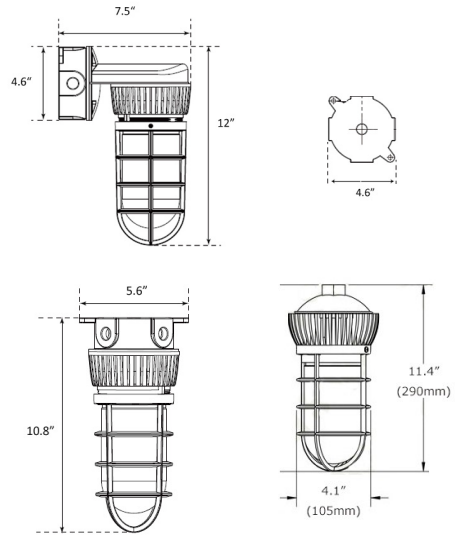
Example : xVT20/H1/50K/G1

x	VT	20	H1	50K	G1
Mount	Product Series	Wattage	Input	CCT	Generation
W Wall mount S Surface mount P Pendant	VT series LED Vapor tight jelly jar	10 10W 20 20W	H1 120-277V	30K 3000K 40K 4000K 50K 5000K	G1 G2 G3

Technical And Performance Data

Model	Watts W	5000K CCT	
		Lumens lm	Efficacy lm/w
xVT10	10	850	85
xVT20	20	1800	90

Dimension



Refer Pics

